



RATED CURRENT

32A

RATED VOLTAGE

500V AC

MAXIMUM POWER DISSIPATION

3W

PROTECTION INDEX

IP20

STANDARDS

IEC/EN 60269-1
IEC/EN 60269-2



Compact modular fuse holders for cylindrical fuse links

Industrial modular fuse holder for cylindrical fuse link size 10x38 according IEC/EN 60269 standard.

Compact design, with reduced height.

Ventilation zones optimized for a better heat dissipation.

Manufactured with a high quality materials

- Silver plated copper contacts.
- Plastic materials with high temperature resistance and self-extinguishable.
- All the materials are according to the European Directive RoHS.



Extended range of accessories is available.



Accessories

Range

REFERENCE	DESCRIPTION	PACKING Uni /BOX
480005	PINS FOR MULTIPOLE ASSEMBLY	12/300
483550	PMC HANDLE TIES FOR MULTIPOLE ASSEMBLY	12/300
483552	PMC MULTIPOLE ASSEMBLY KIT	10/500

REFERENCE	POLES	MODULES	PACKING Uni /BOX
483530	1P	1	12/336
483532	N	1	12/336
483534	1P + N	1	12/336
483536	1P + N	2	6/168
483538	2P	2	6/168
483540	3P	3	4/112
483542	3P + N	3	4/112
483544	3P + N	4	3/84
483546	4P	4	3/84

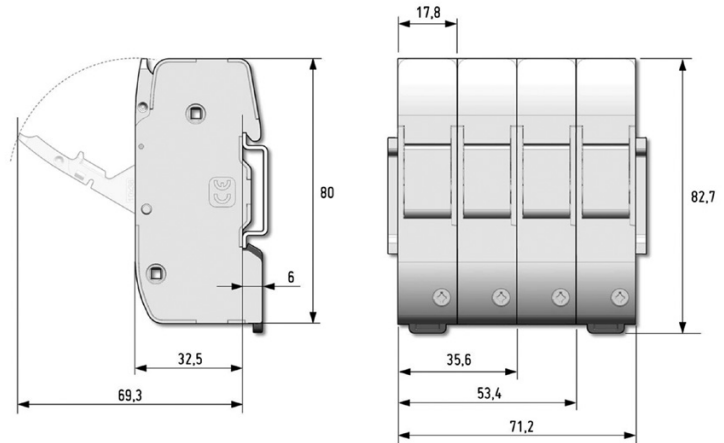


Technical data

Rated current	32A	
Rated voltage	500V AC	
Maximum power dissipation	3W	
Utilization category	AC-20B	
Pollution degree	3	
Protection index *	IP20	
Rated impulse withstand voltage	PMC F > 6kV U imp PMC F+N > 4kV U imp	
Withstand rating (SCCR)	120kA	
Flammability index IEC 60695 GWFI	960°	
Ambient temperature of service	-40°C ... 70°C (with carrier operation) -50°C ... 80°C (without carrier operation)	
Storage temperature	-50°C ... 80°C	
Derating by number of poles	POLES	Derating factor of current
	1 ... 4	1
	5 ... 7	0,95
	≥ 8	0,9
Correction of the admissible current in function of the temperature	20° C	1
	30° C	0,95
	40° C	0,90
	50° C	0,80
	60° C	0,70
	70° C	0,60

* Index protection for closed fuse holder

Dimensions



Weight

1P	41gr
1P + N (1 module)	52gr
1P + N (2 modules)	88gr
2P	82gr
3P	123gr
3P + N (3 modules)	134gr
3P + N (4 modules)	170gr
4P	164gr

Weight without packing

Standards

IEC/EN 60269-1
IEC/EN 60269-2



Application characteristics

For mounting on DIN/EN standard rail DIN 46277/1-3 (EN50022)

Connecting wire

Copper wires only

WIRES	METRIC	AWG	WIRING
1	0,75...10mm ² Solid	8.....18 AWG Solid	
	0,75...6mm ² Stranded	10.....18 AWG Stranded	
2 Same cross section and type	0,75...4mm ² Solid	12.....18 AWG Solid	
	0,75...2,5mm ² Stranded	14.....18 AWG Stranded	

Wire-end terminals

The use of wire-end terminals may allow to increase the connecting wire section.

Wire-end terminals recommended mounting:



The use of wire-end terminals could not guarantee the IP20 protection degree.

Ferrules

It's recommended use of ferrules in wires with section $\leq 2,5\text{mm}^2$



The product is delivered with the terminals opened and ready to connect

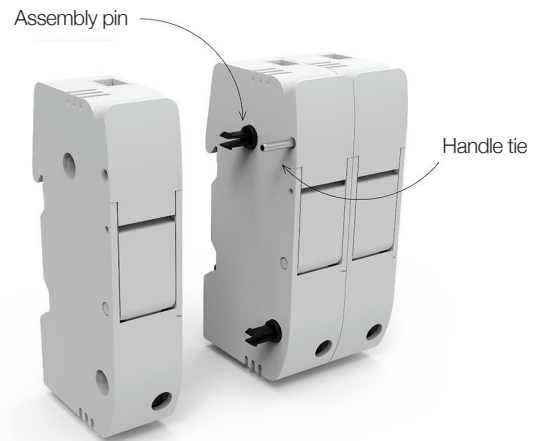
Tightening torque on terminals	1,2...1,5 Nm 11...13 lb.in
Screws with a combined head	SLOT + DIN 7962(H) Size 2
Multipolar assembly	► FIG. 1
Special zone for sealing	Ø1,5 mm wire

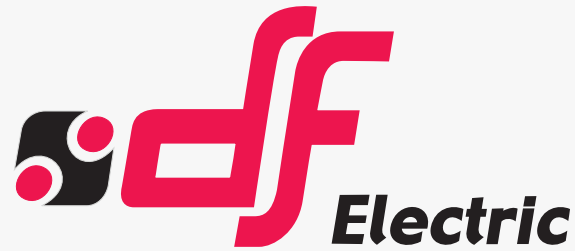
Accessories

FIG. 1 | Multipolar assembly

Standard system by DF, 2 clips and 1 pin for each union between poles

480005	PINS FOR MULTIPOLE ASSEMBLY
483550	PMC HANDLE TIES FOR MULTIPOLE ASSEMBLY





PROTECTING THE WORLD

HEAD OFFICE AND FACTORY

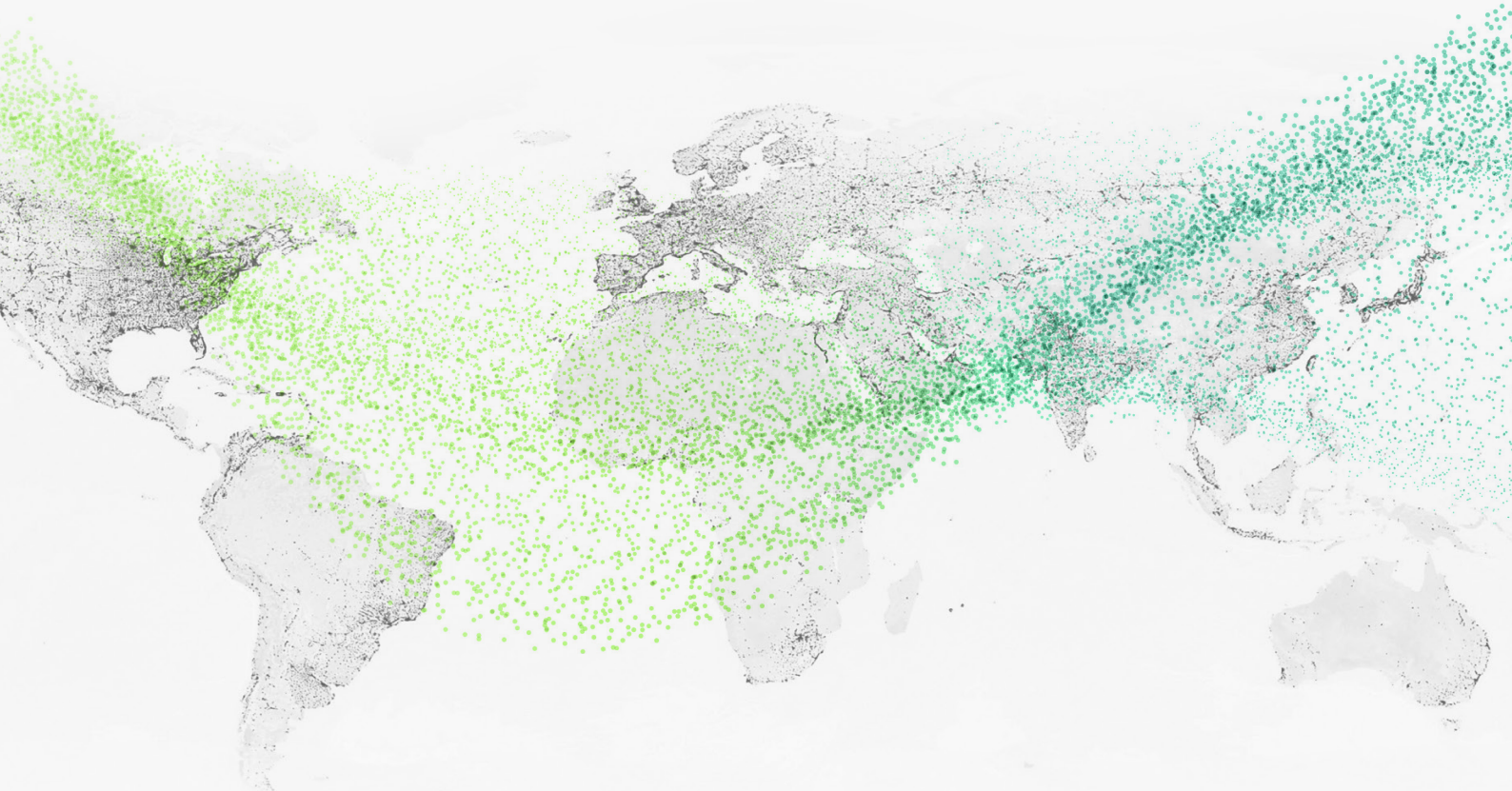
SILICI, 67-69
08940 CORNELLA DE LLOBREGAT
BARCELONA · SPAIN
Tel. +34 93 377 85 85
Fax +34 93 377 82 82

INTERNATIONAL SALES

Tel. +34 93 475 08 64
Fax +34 93 480 07 75
export@dfelectric.es

NATIONAL SALES

Tel. 93 475 08 64
Fax 93 480 07 76
comercial@dfelectric.es



dfelectric.es



According to the waste of electrical and electronic equipment directive, electrical material should not be part of the usual waste. This symbol alerts users that these products should be recycled according to local environmental waste disposal regulations.



The "electro technical expert" logo marked on the products included in this data sheet indicates that the installation of these products must be carried out by expert personnel with specialized knowledge.



To prevent electrical hazards, carry out the installation without voltage.



Safety notice
Please capture the following QR code and read our safety notice carefully before installing our products.



The data reflected in this technical record are subject to the correct installation of the product in accordance with manufacturer's instructions, relevant installation standards and professional practices, maintained and used in applications for which they were made.

The products described in this document have been designed, developed and tested in accordance with specific standard. They are considered components that are integrated as part of installation, machine or equipment. The correct general operation of the referred product is responsibility of the manufacturer of the installation, machine or equipment.

DF ELECTRIC cannot guarantee the characteristics of an installation, machine or equipment that has been designed by a third party. Once a product has been selected, the user must verify that it is appropriate for its application, through the verifications and/or tests that it deems appropriate.

DF ELECTRIC retains the right to change the dimensions, specifications, materials or design of its products at any time with or without notice.

©2019 DF Electric. All rights reserved