

# CYLINDRICAL

FUSE LINKS & FUSE HOLDERS/BASES



# PMC

compact modular fuse holders for cylindrical fuse links



# PROTECTING THE WORLD



RATED CURRENT

25A

RATED VOLTAGE

400V AC

MAXIMUM POWER DISSIPATION

3W

PROTECTION INDEX

IP20

STANDARDS

IEC/EN 60269-1  
IEC/EN 60269-2



## Compact modular fuse holders for cylindrical fuse links

Industrial modular fuse holder for cylindrical fuse link size 8x32 according IEC/EN 60269 standard.

Compact design, with reduced height.

Ventilation zones optimized for a better heat dissipation.

Manufactured with a high quality materials

- Silver plated copper contacts.
- Plastic materials with high temperature resistance and self-extinguishable.
- All the materials are according to the European Directive RoHS.



Extended range of accessories is available.



## Accessories

## Range

REFERENCE	DESCRIPTION	PACKING Uni /BOX
<b>480005</b>	PINS FOR MULTIPOLE ASSEMBLY	12/300
<b>483550</b>	PMC HANDLE TIES FOR MULTIPOLE ASSEMBLY	12/300
<b>483552</b>	PMC MULTIPOLE ASSEMBLY KIT	10/500

REFERENCE	POLES	MODULES	PACKING Uni /BOX
<b>483500</b>	1P	1	12/336
<b>483502</b>	N	1	12/336
<b>483504</b>	1P + N	1	12/336
<b>483506</b>	1P + N	2	6/168
<b>483508</b>	2P	2	6/168
<b>483510</b>	3P	3	4/112
<b>483512</b>	3P + N	3	4/112
<b>483514</b>	3P + N	4	3/84
<b>483516</b>	4P	4	3/84

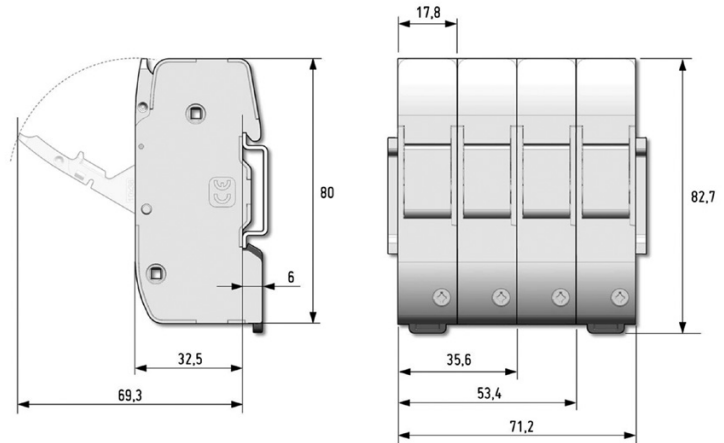


## Technical data

Rated current	25A	
Rated voltage	400V AC	
Maximum power dissipation	3W	
Utilization category	AC-20B	
Pollution degree	3	
Protection index *	IP20	
Rated impulse withstand voltage	PMC F > 6kV U imp PMC F+N > 4kV U imp	
Withstand rating (SCCR)	120kA	
Ambient temperature of service	-40°C ... 70°C (with carrier operation) -50°C ... 80°C (without carrier operation)	
Storage temperature	-50°C ... 80°C	
Derating by number of poles	<b>POLES</b>	<b>Derating factor of current</b>
	1 ... 4	1
	5 ... 7	0,95
	≥ 8	0,9
Correction of the admissible current in function of the temperature	20° C	1
	30° C	0,95
	40° C	0,90
	50° C	0,80
	60° C	0,70
	70° C	0,60

\* Index protection for closed fuse holder

## Dimensions



## Weight

<b>1P</b>	41gr
<b>1P + N</b> (1 module)	52gr
<b>1P + N</b> (2 modules)	88gr
<b>2P</b>	82gr
<b>3P</b>	123gr
<b>3P + N</b> (3 modules)	134gr
<b>3P + N</b> (4 modules)	170gr
<b>4P</b>	164gr

Weight without packing

## Standards

IEC/EN 60269-1  
IEC/EN 60269-2



## Application characteristics

For mounting on DIN/EN standard rail DIN 46277/1-3 (EN50022)

**Connecting wire**  
Copper wires only

WIRES	METRIC	AWG	WIRING
1	0,75...10mm <sup>2</sup> Solid	8.....18 AWG Solid	
	0,75...6mm <sup>2</sup> Stranded	10.....18 AWG Stranded	
2 Same cross section and type	0,75...4mm <sup>2</sup> Solid	12.....18 AWG Solid	
	0,75...2,5mm <sup>2</sup> Stranded	14.....18 AWG Stranded	

### Wire-end terminals

The use of wire-end terminals may allow to increase the connecting wire section.

Wire-end terminals recommended mounting:



The use of wire-end terminals could not guarantee the IP20 protection degree.

### Ferrules

It's recommended use of ferrules in wires with section  $\leq 2,5\text{mm}^2$



The product is delivered with the terminals opened and ready to connect

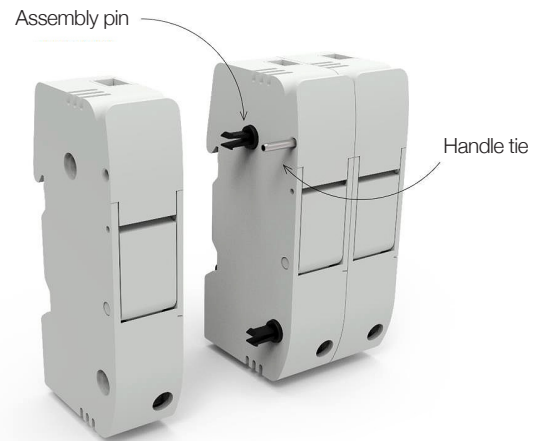
<b>Tightening torque on terminals</b>	1,2...1,5 Nm 11...13 lb.in
<b>Screws with a combined head</b>	SLOT + DIN 7962(H) Size 2
<b>Multipolar assembly</b>	► FIG. 1
<b>Special zone for sealing</b>	Ø1,5 mm wire

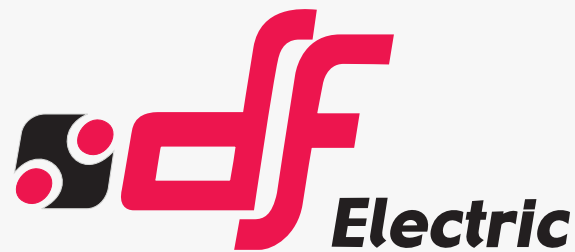
## Accessories

FIG. 1 | Multipolar assembly

Standard system by DF, 2 clips and 1 pin for each union between poles

<b>480005</b>	PINS FOR MULTIPOLE ASSEMBLY
<b>483550</b>	PMC HANDLE TIES FOR MULTIPOLE ASSEMBLY





# PROTECTING THE WORLD

## HEAD OFFICE AND FACTORY

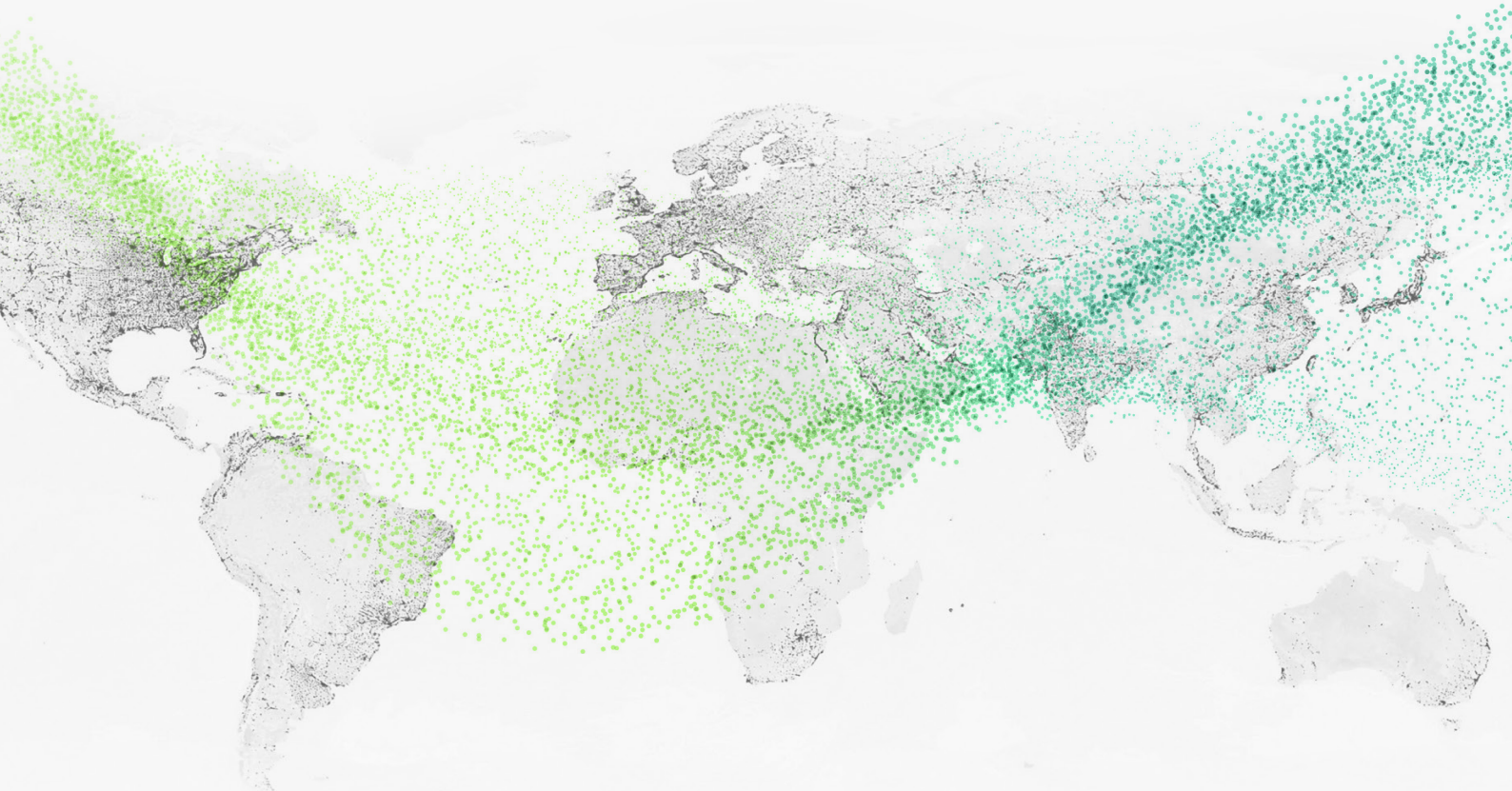
SILICI, 67-69  
08940 CORNELLA DE LLOBREGAT  
BARCELONA · SPAIN  
Tel. +34 93 377 85 85  
Fax +34 93 377 82 82

## INTERNATIONAL SALES

Tel. +34 93 475 08 64  
Fax +34 93 480 07 75  
export@dfelectric.es

## NATIONAL SALES

Tel. 93 475 08 64  
Fax 93 480 07 76  
comercial@dfelectric.es



[dfelectric.es](http://dfelectric.es)



According to the waste of electrical and electronic equipment directive, electrical material should not be part of the usual waste. This symbol alerts users that these products should be recycled according to local environmental waste disposal regulations.



The "electro technical expert" logo marked on the products included in this data sheet indicates that the installation of these products must be carried out by expert personnel with specialized knowledge.



To prevent electrical hazards, carry out the installation without voltage.



**Safety notice**  
Please capture the following QR code and read our safety notice carefully before installing our products.



The data reflected in this technical record are subject to the correct installation of the product in accordance with manufacturer's instructions, relevant installation standards and professional practices, maintained and used in applications for which they were made.

The products described in this document have been designed, developed and tested in accordance with specific standard. They are considered components that are integrated as part of installation, machine or equipment. The correct general operation of the referred product is responsibility of the manufacturer of the installation, machine or equipment.

DF ELECTRIC cannot guarantee the characteristics of an installation, machine or equipment that has been designed by a third party. Once a product has been selected, the user must verify that it is appropriate for its application, through the verifications and/or tests that it deems appropriate.

DF ELECTRIC retains the right to change the dimensions, specifications, materials or design of its products at any time with or without notice.

©2019 DF Electric. All rights reserved